

SINGLE RUN 301 & 301H - TIMBER

Capacity - 301:

- Maximum door weight: 250kg.
- Maximum door height: 3600mm.
- Door thickness: 45mm - 57mm.

Capacity - 301H:

- Maximum door weight: 450kg.
- Maximum door height: 4200mm.
- Door thickness: 45mm - 57mm.

Application:

A general purpose top hung track system for straight sliding timber doors in commercial or industrial situations.

Components:

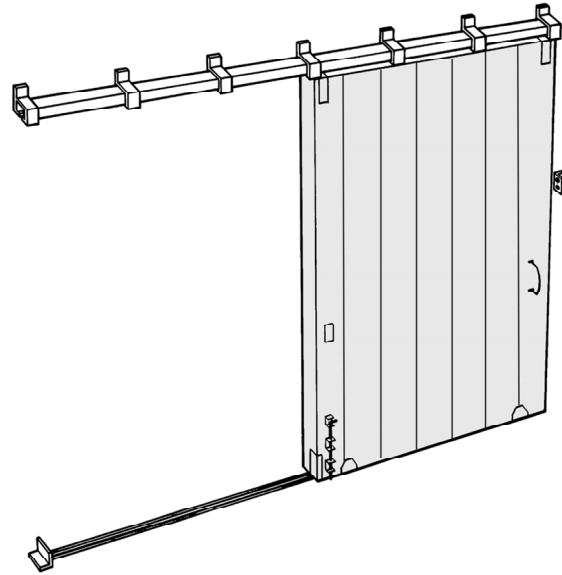
- Track - galvanised, (301 or 301H). Available in 2m, 2.5m or 3m lengths.
- Brackets, single run - face fixing (1/301).
- Brackets, single run - soffit fixing (3/301).
- Brackets, single run - soffit fixing, parallel ear (4/301).
- Brackets, single run - soffit fixing, parallel ear, steel (4/301/S).
- Brackets - face fixing, restricted headroom (9/301).
- Hangers - wooden doors, 2-wheel, apron fixing, nylon, 125kg capacity per pair (50AN).
- Hangers - wooden doors, 2-wheel, apron fixing, steel, 125kg capacity per pair (50AS).
- Hangers - wooden doors, 4-wheel, angle fixing, nylon (52AN).
- Hangers - wooden doors, 4-wheel, angle fixing, steel (52AS).
- Hangers - wooden doors, 4-wheel, apron fixing, nylon (53AN).
- Hangers - wooden doors, 4-wheel, apron fixing, steel (53AS).
- Hangers - wooden doors, 4-wheel, concealed fixing, nylon (57AN).
- Hangers - wooden doors, 4-wheel, concealed fixing, steel (57AS).
- Guides - wooden doors (102½/97).
- Guides - wooden doors (105R/97).
- Guides - wooden doors (106RN/94).
- Guides - wooden doors, concealed fixing (106R/94).
- Guide - wooden doors (106RB/94).
- Guide - wooden doors (106R/97).
- Channel - aluminium (94X). Available in 1.6m, 2m, 2.5m, 3m and 3.2m lengths.
- Guide Channel - aluminium, anodised (94XNAA). Available in 2m, 3m 4m and 6m lengths.
- Channel - brass (94). Available in 1.6m, 2m, 2.5m, 3m, and 3.2m lengths.
- Channel - polypropylene (94P). Available in 2m, 3m, 4m and 6m lengths.
- Channel - polypropylene with aluminium support (94PA). Available in 2m, 3m, 4m and 6m lengths.
- Channel - galvanised steel (100). Available in 2m, 2.5m and 3m lengths.
- Channel - galvanised steel (97). Available in 2m, 2.5m and 3m lengths.
- Bottom Guide Rail - (299). Available in 2m lengths.

Optional Extras:

- Flush Pulls.
- Flush Bolts.
- Handles.
- Stops - (301DS).

Please note:

- Brackets to be fixed every 700mm - 900mm maximum and at track joints.
- Two hangers required per door.
- Please refer to component section for component options and technical detail.


EXT
INT


SINGLE RUN 301 & 301H - TIMBER

SINGLE RUN 301 & 301H - TIMBER

